

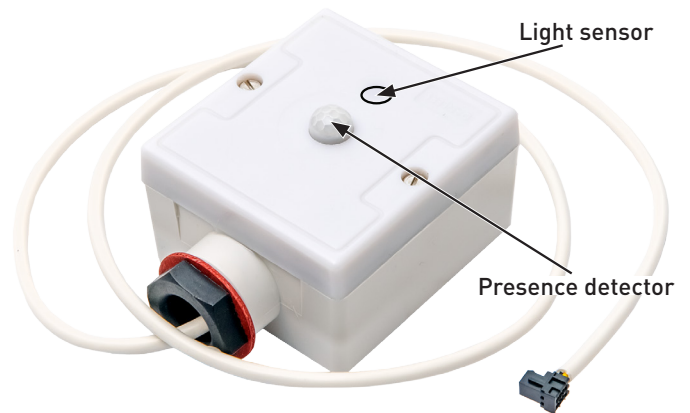
## ActiveAhead Sense Outdoor (3022)

A member of the ActiveAhead family of continuously adaptive wireless lighting control solutions, the ActiveAhead Sense Outdoor is an IP65-rated, luminaire-based sensor that combines a passive infrared presence detector with a light sensor for daylight harvesting.

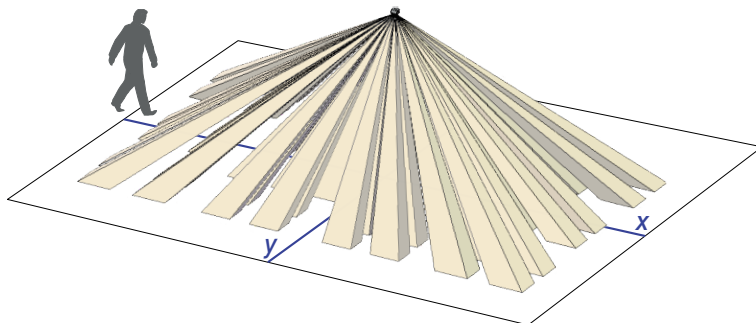
The ActiveAhead Sense Outdoor is attached to a flexible connection cable terminated with a keyed connector that plugs into an ActiveAhead Control Unit. The cable exits the IP-protected sensor housing from the side through a threaded entry bush, providing a method of sealing a connection to a luminaire enclosure.

### Key Features

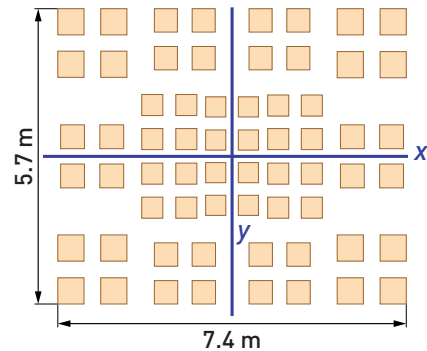
- Reliable presence and ambient-light detection.
- Simple, out-of-box energy saving functionality.
- Rugged polycarbonate housing with IP65 rating.
- Easy-to-seal external installation to luminaire enclosure.
- Part of Helvar's ActiveAhead range of products, which anticipate the most suitable lighting conditions right before they are needed.



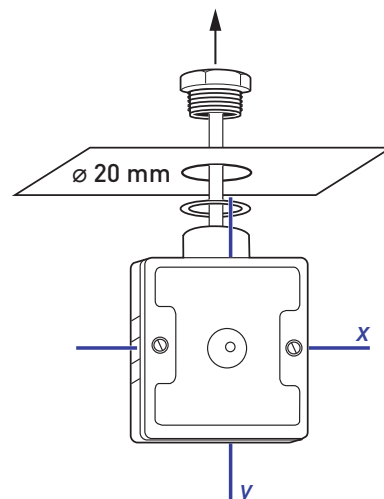
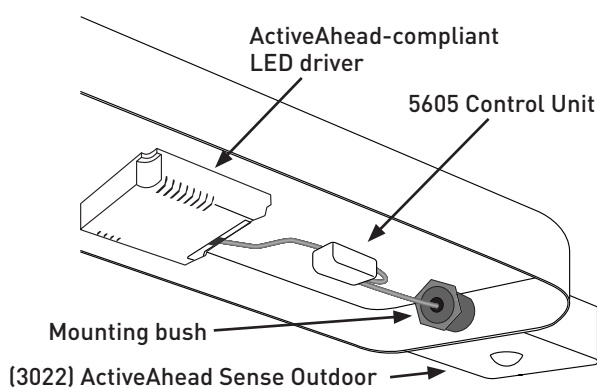
### Presence Detection Coverage at 2.5 m Height



Detection pattern at floor level for 2.5 m mounting height



### Mounting



## Technical Data

### Connections

**ActiveAhead:** 80 cm flexible cable terminated with a four-way, 2 mm keyed connector

### Power

**Power consumption:** 3.3 V; 5 mA max.

### Mechanical data

**Max. recommended mounting height:** 3 m

**Presence detection coverage area:** 42.2 m<sup>2</sup> @ 2.5 m mounting height

**Dimensions:** 60 mm × 75 mm × 37 mm

**Mounting hole:** 20 mm

**Material (enclosure):** Fire-retardant polycarbonate

**Colour:** White (RAL9003)

**Weight:** 92 g (with attached cable)

**IP rating:** IP65

### Operating conditions

**Ambient temperature:** -25 °C to +50 °C  
*Note: The temperature difference between the detection target and the background must be at least 4 °C.*

**Relative humidity:** Max. 90 %, noncondensing

**Storage temperature:** -25 °C to +70 °C

### Conformity and standards

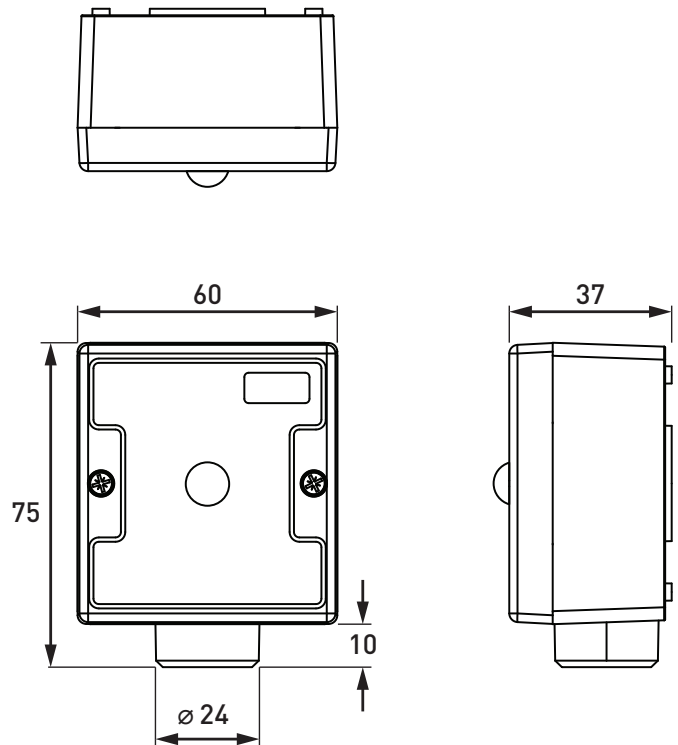
**EMC emission:** EN 55015

**EMC immunity:** EN 61574

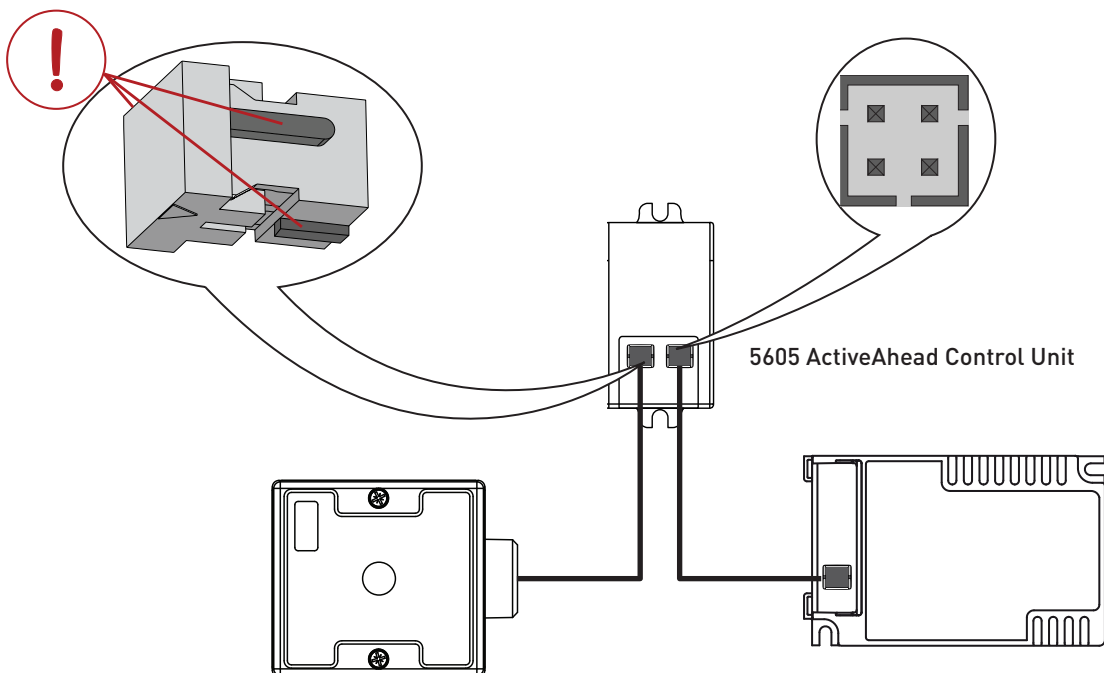
**Safety:** EN 61347-2-11

**Environment:** Complies with RoHS directive.

### Dimensions (mm)



### Connections



3022 ActiveAhead Sense Outdoor

ActiveAhead compliant LED driver