



iDim Solo Interface Module (403)

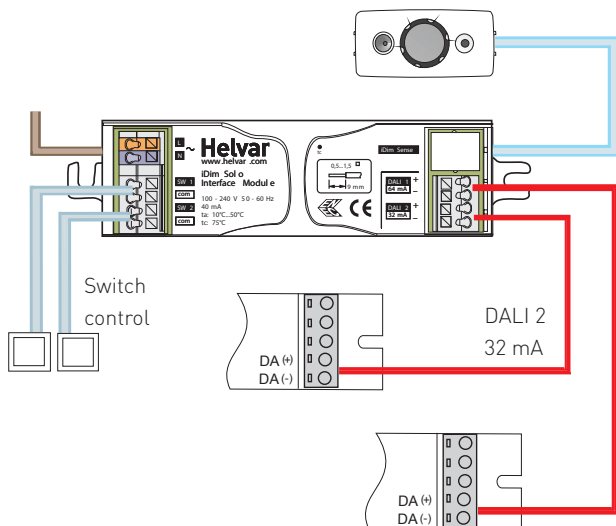
The iDim Solo is used as an interface module to connect the iDim Sense (316 Standalone) and iDim ballasts as well as user interfaces. Additionally, the iDim Solo can be used as a DALI power supply unit (PSU). The unit is housed in a standard ballast-style enclosure (30 mm width x 21 mm height) making it fast and easy to assemble.

Key Features

- Power capability: 64 mA (DALI 1), 32 mA (DALI 2)
- or 96 mA when operating in parallel
- 2 x DALI outputs
- 2 x Switch control inputs
- iDim Sense connection (RJ style, 4P4C)
- Mains connection



iDim Solo as an Interface Module

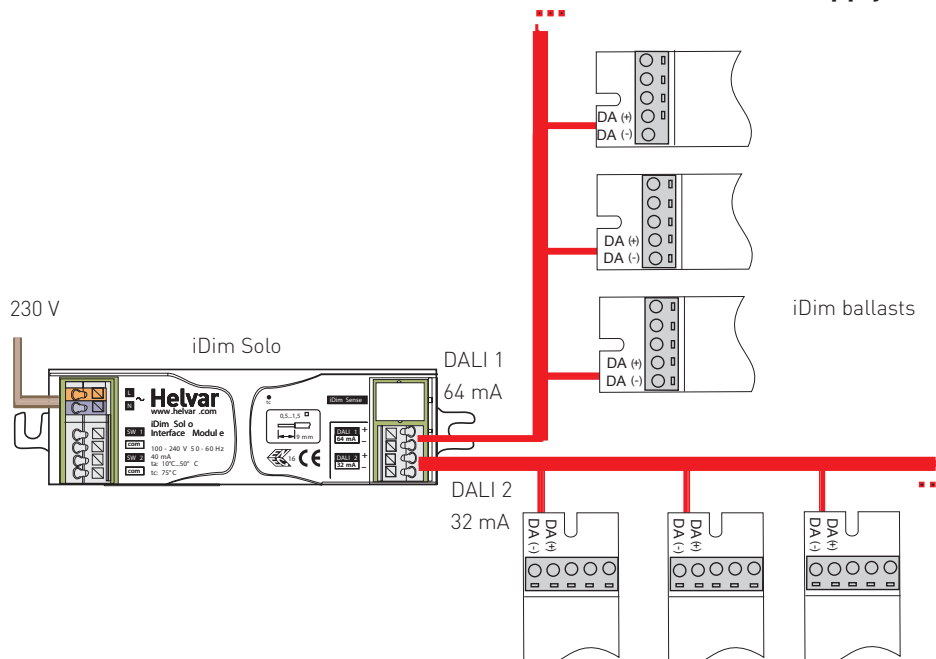


Installation Notes

- All cabling must be 230 VAC mains rated and considered live when used outside luminaire
- Isolate the mains supply before installation
- The external mains supply to the unit must be protected.
- Install in a restricted access location only, e.g. inside luminaire housing

Note: To remove DALI wiring, always press down on the push wire connector clips.

iDim Solo as a Power Supply Unit (PSU)



Technical Data

Connections

Mains/DALI/Switch control:	Wire size: 0.5 mm ² – 1.5 mm ² Solid, flexible or stranded Strip length: 9 mm
iDim Sense:	RJ Style 4P4C crossover (max. 3 m) Accessory cable available
Cable rating:	All cables must be mains rated
Power supply	
Mains supply:	100 VAC – 240 VAC, 50 Hz – 60 Hz
Mains supply (absolute):	85 VAC – 264 VAC, 45 Hz – 65 Hz
Supply current:	40 mA
Protection:	Internally resettable fuse (PTC)

Inputs

Override (OVR):	2 × Switch control (in combination with iDim Sense) max. length 50 m
------------------------	---

Outputs

2 x DALI outputs:	16 V nominal @ 2 mA to 64 mA
DALI 1:	128 mA (64 devices)
DALI 2:	16 V nominal @ 2 mA to 32 mA Note: minimum 2 mA load required on one output only.

Mechanical data

Dimensions:	121 mm × 30 mm × 21 mm (incl. screw clips)
Material:	Flame retardant polycarbonate
Colour:	White (RAL 9016)
Weight:	40 g
Isolation:	4 kV
IP code:	IP30

Operating conditions

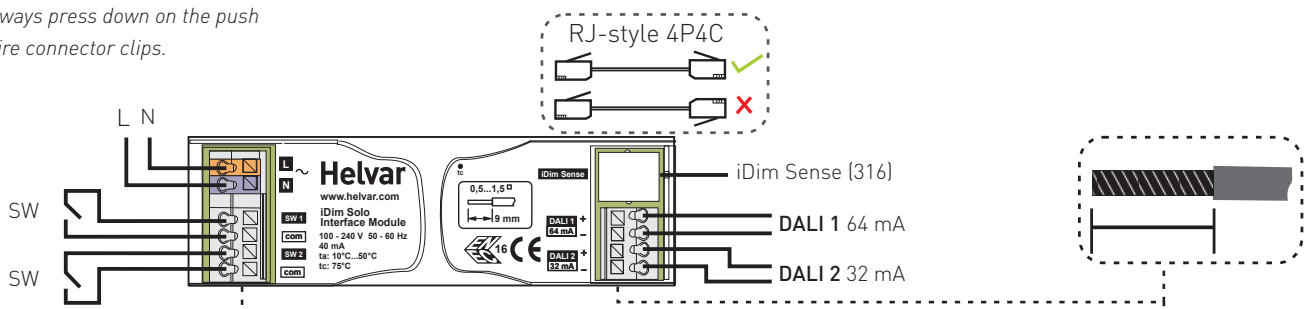
Ambient temperature:	+10 °C to +50 °C
Relative humidity:	Max. 90 %, non-condensing
Storage temperature:	-25 °C to +75 °C

Conformity and standards

EMC emission:	EN 55015
EMC immunity:	EN 61547
Safety:	EN 61347
Environment:	Complies with WEEE and RoHS directives

Connections

Note: To remove DALI wiring, always press down on the push wire connector clips.



Dimensions (mm)

