

## ActiveAhead Control Unit DALI (5606)

A member of the ActiveAhead® family of wirelessly networked devices, the ActiveAhead Control Unit DALI connects 1–4 standard DALI luminaires to the ActiveAhead low-energy Bluetooth® radio mesh network.

The connected units share information, such as movement detections, through the mesh network, and a mobile app allows you to adjust the parameters of the system.

The ActiveAhead Control Unit DALI is equipped with strain relief, so it can be placed either inside or outside a DALI luminaire. Each unit has a DALI output with dual parallel connectors.

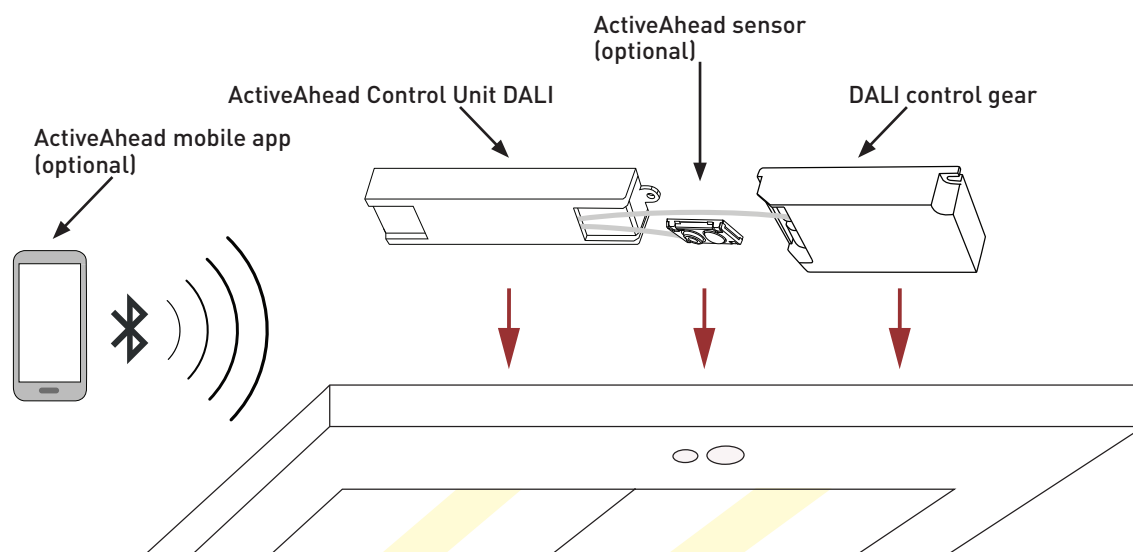
When it is fitted with an ActiveAhead compatible sensor, the ActiveAhead Control Unit DALI makes DALI luminaires anticipate the most suitable lighting conditions right before they are needed. Thanks to its smart software algorithm, it is able to learn the movement patterns in its environment, to predict movement and to adjust the luminaire operation accordingly.

Learning is based on the data that the unit receives from locally connected sensors and from other ActiveAhead nodes in the network. Since it never stops learning, the ActiveAhead Control Unit DALI will adapt to any future changes in its environment, such as a wall installation or removal.



### Key Features

- Continuously learns movement patterns in its proximity.
- Converts DALI luminaires into wireless ActiveAhead luminaires.
- Suitable for Class I or Class II luminaires.
- Compatible with all ActiveAhead mesh networks.
- Compatible with the ActiveAhead range of sensors (3020 and 3022).
- Additional customisation via mobile app.
- Strain relief for easy installation outside a luminaire.
- Supports chaining of the mains power.



## Technical Data

### Connections

<b>DALI cable:</b>	2 × 2-pole push-fit terminals Wire section: 0.5 mm <sup>2</sup> – 1.5 mm <sup>2</sup> solid or stranded.
<b>Mains:</b>	2 × 2-pole terminal block Wago 250-202 Wire section: 0.5 mm <sup>2</sup> – 1.5 mm <sup>2</sup> solid or stranded.
<b>Sensor:</b>	Active+ Sense connector

### Electrical data

<b>Input voltage:</b>	100 VAC – 240 VAC
<b>Starting voltage:</b>	85 V
<b>Input current:</b>	Max. 40 mA
<b>Input power:</b>	Max. 2 W
<b>Input frequency:</b>	50 Hz – 60 Hz
<b>Output current for DALI:</b>	Max. 64 mA
<b>Sensor interface:</b>	3.3 V

### Mechanical data

<b>Dimensions:</b>	184 mm × 40 mm × 25.2 mm
<b>Material (casing):</b>	Polycarbonate
<b>Colour:</b>	White RAL 9016
<b>Weight:</b>	80 g
<b>Safety class:</b>	Construction class: II. Suitable for installation in Class I or Class II luminaires, or for independent installation.

### Power ratio and frequency

<b>Bluetooth® wireless technology:</b>	Bluetooth® Low Energy (2.4 GHz)
<b>Antenna pattern:</b>	Omnidirectional

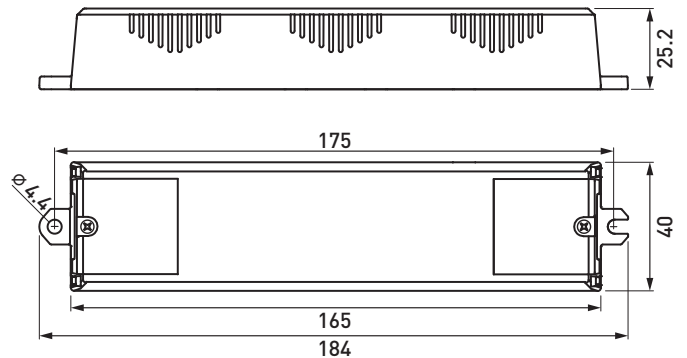
### Operating conditions

<b>Number of connected DALI loads:</b>	1–4
<b>Operating temperature:</b>	–20 °C to +50 °C
<b>Relative humidity:</b>	Max. 90 %, noncondensing
<b>Storage temperature:</b>	–40 °C to +80 °C
<b>Max. DALI cable length:</b>	30 m
<b>Max. distance between control units:</b>	10 m in free space

### Conformity and standards

<b>EMC:</b>	EN 55015 EN 61547
<b>Safety:</b>	EN 61347-1 EN 61347-2-11
<b>RED:</b>	EN 301 489-1 EN 301 489-17 EN 300 328
<b>Isolation mains to DALI:</b>	Basic isolation (250 V)
<b>Isolation mains to sensor:</b>	Reinforced isolation (250 V)
<b>Isolation DALI to sensor:</b>	Supplementary isolation (250 V)
<b>Environment:</b>	Complies with WEEE and RoHS directives.

### Dimensions (mm)



### Connections

