

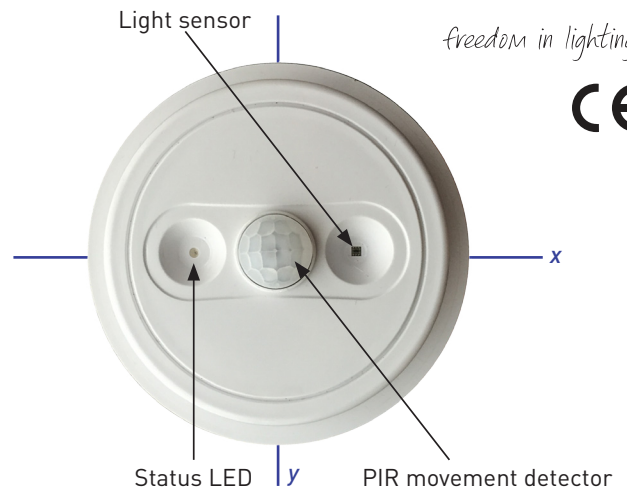
## OB-1101 iDim Orbit

The OB-1101 iDim Orbit with single movement detector is a standalone, flush-mounted sensor that provides easy installation and configuration of lighting control applications. It contains:

- A passive infrared (PIR) movement detector
- A light sensor
- A Bluetooth® Smart™ module for configuration via a smartphone or tablet
- A time clock for profile scheduling
- A DALI power supply with two DALI broadcast outputs
- A mains relay for switched load control
- A functional extra-low voltage (FELV) manual switch interface
- A status LED that flashes green each time a valid setting is received

The PIR movement detector enables the sensor to switch the lights on when a room is occupied, and off when it is unoccupied. In addition, a switch can be connected to the sensor for manual control.

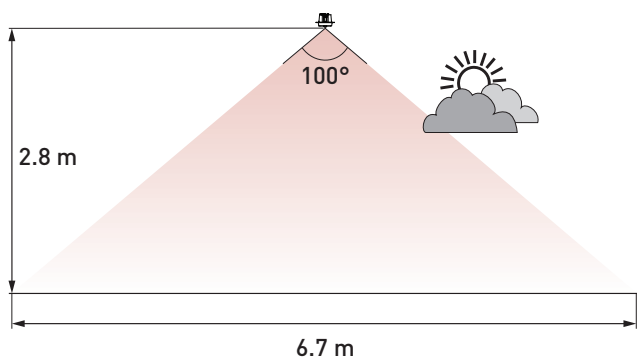
The unit has out-of-box functionality for configuration-free operation. It uses removable connector blocks for simple, screwless termination of mains, DALI and switch-input cables. The sensor's settings can be customised via an Apple iOS mobile app that is available from the App Store. For information, see the *iDim Orbit App Configuration Guide*. The sensor is designed to be recessed in a ceiling void.



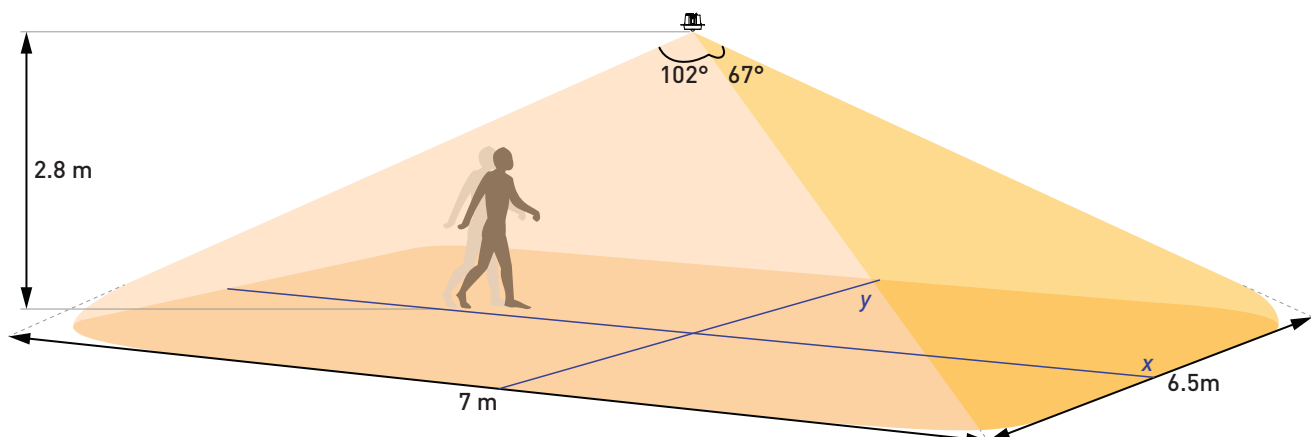
### Key Features

- Presence and absence detection modes.
- Movement detection area of up to 7 m × 6.5 m at 2.8 m mounting height. For details, see the 'Presence Detection Coverage' section below.
- Three independently configurable control outputs (2 × DALI broadcast and 1 × mains relay).
- Daylight harvesting for energy efficiency.
- Seven-day scheduler allowing two sensor behaviour profiles per day.
- Manual control through switch inputs.
- Manual control of DALI channels can be altered within the app to suit different switch types.
- Easy installation over two-part mains and DALI connectors with screwless terminations and built-in strain relief.
- Configuration via iOS devices. The app includes a library of application profiles for classrooms and offices, as well as custom profiles.
- Backup and sharing of profiles via cloud services and email.

### Daylight Harvesting Coverage



### Presence Detection Coverage



## Technical Data

### Connections

**Mains:** 4-pole removable connector block with strain relief  
Cable diameter: 9 mm – 13 mm mains rated  
Cable section: 0.5 mm<sup>2</sup> – 4 mm<sup>2</sup> solid;  
0.5 mm<sup>2</sup> – 2.5 mm<sup>2</sup> stranded

### Power

**Mains supply:** 100 VAC – 240 VAC (nominal)  
85 VAC – 264 VAC (absolute)  
50 Hz – 60 Hz

**Power consumption:** Nominal: 0.9 W  
Maximum: 2.5 W

**DALI power:** 2 × 40 mA DALI power supply  
2 × 2-pole removable connector blocks with strain relief  
Cable diameter: 3.8 mm – 8.2 mm mains rated  
Cable section: 0.25 mm<sup>2</sup> – 1.5 mm<sup>2</sup> solid; 0.25 mm<sup>2</sup> – 1.0 mm<sup>2</sup> stranded  
Max. 16 A Type C MCB

**External protection:**

**Relay loads:** Limited by external protective device.

**Switch inputs:** 5 × retractive (momentary) switch plus common input.  
Switch inputs are functional extra-low voltage (FELV).  
Cable section: 0.08 mm<sup>2</sup> – 1.5 mm<sup>2</sup> solid; 0.08 mm<sup>2</sup> – 1.0 mm<sup>2</sup> stranded.  
Max. length: 50 m.

**Communications:** DALI broadcast

### Mechanical data

**Mounting hole diameter:** 83 mm – 86 mm

**Recommended clearance depth:** 115 mm plus cable bending radius

**Material (casing):** Flame-retardant ABS

**Colour:** White RAL 9003

**Weight:** 255 g

**IP code:** IP40

### Operating conditions

**Ambient temperature:** 0 °C to +50 °C  
*Note: The temperature difference between the detection target and the background must be at least 4 °C.*

**Relative humidity:** Max. 90 %, noncondensing

**Storage temperature:** –10 °C to +70 °C

### Conformity and standards

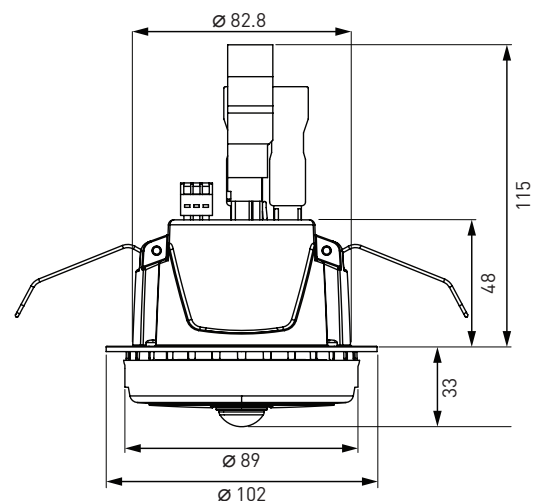
**EMC:** EN 301489-1  
EN 55015  
EN 61547

**Safety:** IEC 60669-2-5

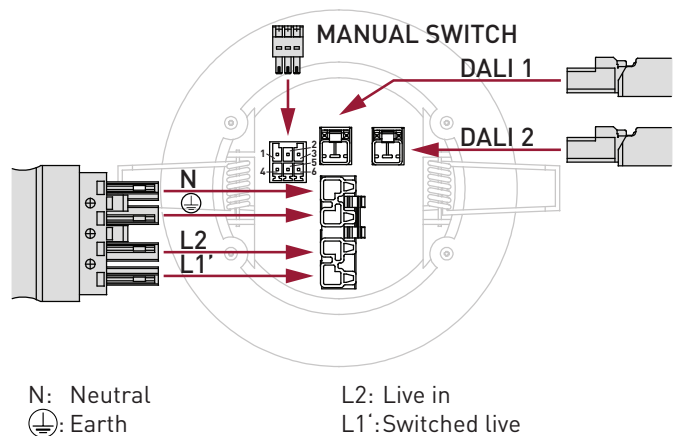
**Environment:** Complies with WEEE and RoHS directives.

**FCC:** Contains FCC ID: T7VPAN17.

### Dimensions (mm)



### Connections



Switch input*	Input function (selectable in the app)	
	Single-pole switch	Double-pole switch†
1	Common	Common
2	DALI 1 switch control‡	DALI 1 on/raise
3	DALI 1 switch control‡	DALI 1 off/lower
4	Relay on/off	(Single-pole switch only)
5	DALI 2 switch control‡	DALI 2 on/raise
6	DALI 2 switch control‡	DALI 2 off/lower

\* Switch inputs are functional extra-low voltage (FELV).

† Two-position, centre-biased retractive switch.

‡ Switch control enables on/off and dimming control from a single-pole retractive switch.